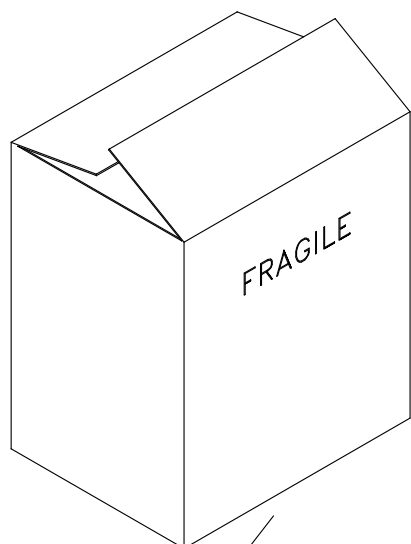
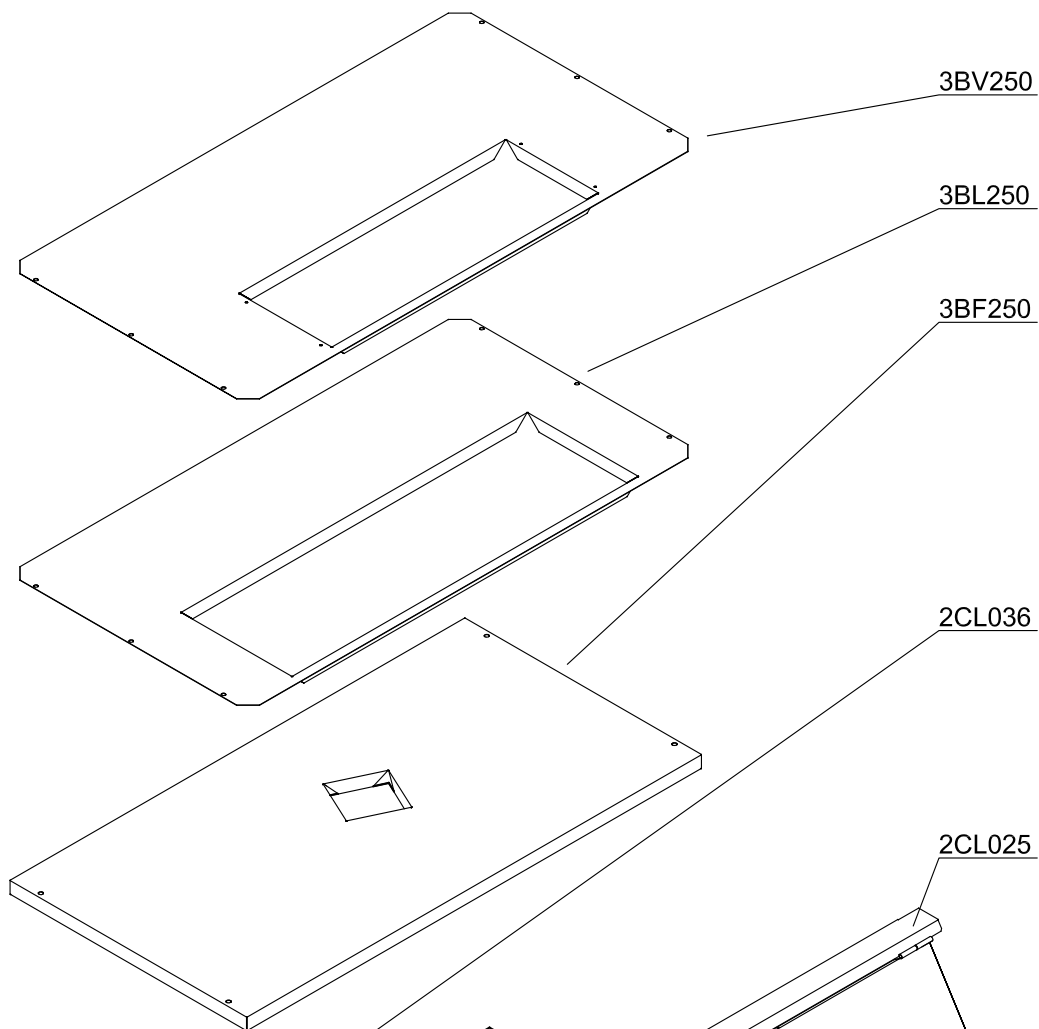


# B250



1MC158



2CL036

2CL025

