

REFRIGERATED CHAMBER ODP 1 , ODP 2

Instruction manual

IN0004

ORIGINAL MANUAL

READ CAREFULLY BEFORE USE

KEEP FOR FUTURE REFERENCE

Keep this manual in a safe place and easily accessible to all users of the product.

Any other form of use and use of the device inconsistent with the form described in this manual is prohibited.

CONTENTS:

1.	Product features	17
2.	Unloading	20
3.	Preparation for operation.....	21
1.	Operation	22
2.	Maintenance	25
3.	Service.....	25

DEAR CLIENTS!

Thank you for purchasing our equipment. We hope that it will serve you well for a long time thanks to its advantages. Please read this manual. The information contained in this manual will make it easier for you to use the product and ensure a reliable operation of the unit for a long time.

1. Product features

General information:

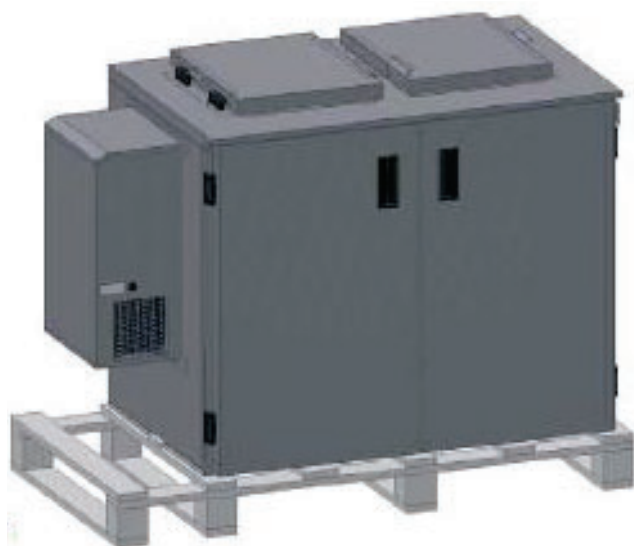


Fig. 1

Our units are manufactured using modern technology to ensure high durability and good performance. The temperature in the chamber is between +4 and +8°C. Folding refrigerated chamber designed for the cooling and storage of goods in containers at an ambient temperature of 10°C to 25°C and a humidity of up to 60 ± 5%.

Our equipment is manufactured in accordance with safety standards and has a positive opinion from the National Institute of Hygiene.

This product is CE marked as stated in the manufacturer's declaration of conformity. The manufacturer declares that the product meets the requirements of the relevant directives and standards that apply to it and can be sold on the territory of the European Union.

Accessories:

Our units come with the following accessories:

- instruction manual
- warranty card

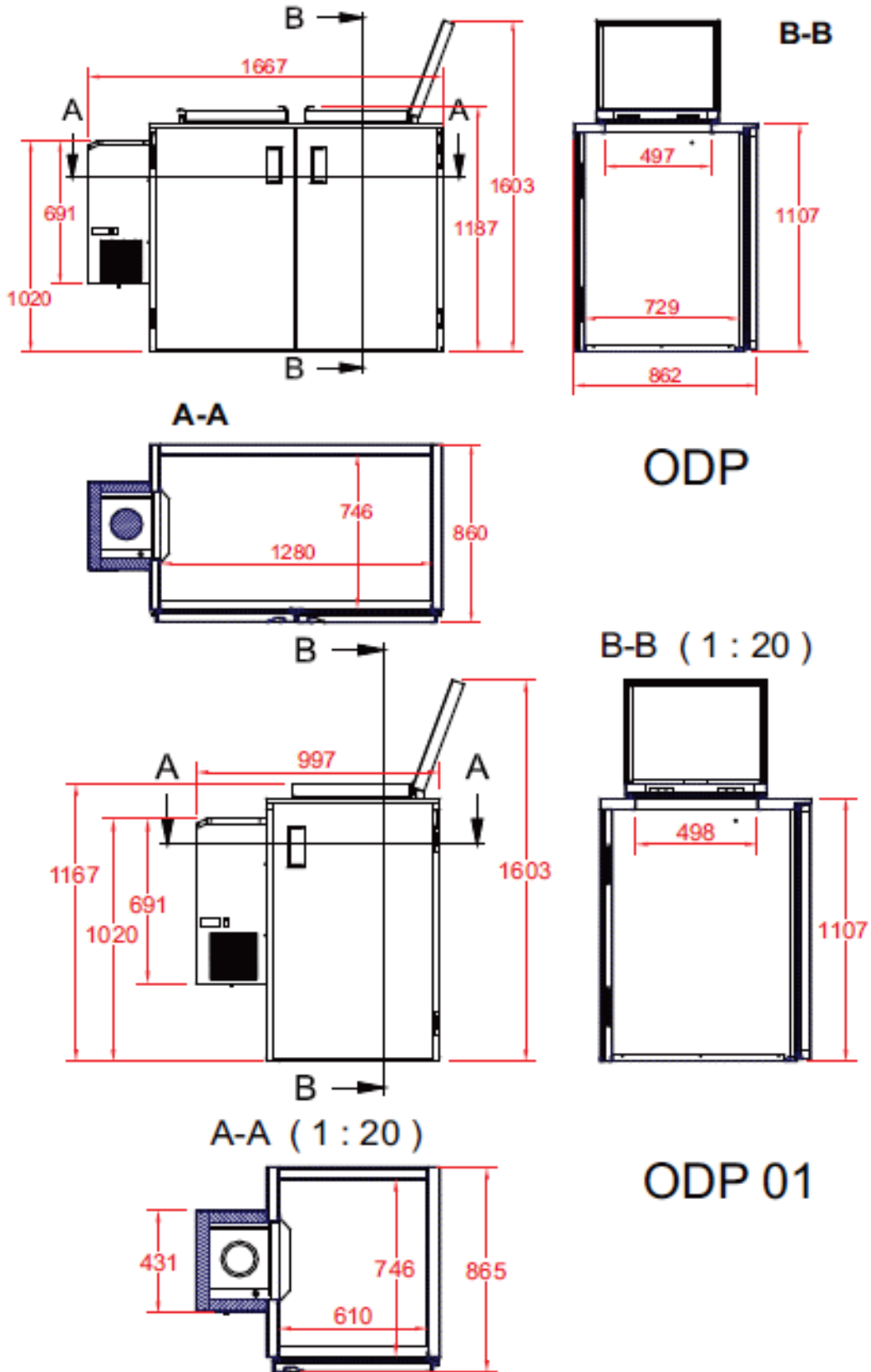


Fig. 2

2. Unloading

The chambers are delivered fully assembled on a special pallet. The unit on the pallet must be unloaded manually or with a suitable lift (forklift, pallet jack) and always in the normal use position. The maximum angle of deviation from vertical is 15 degrees.

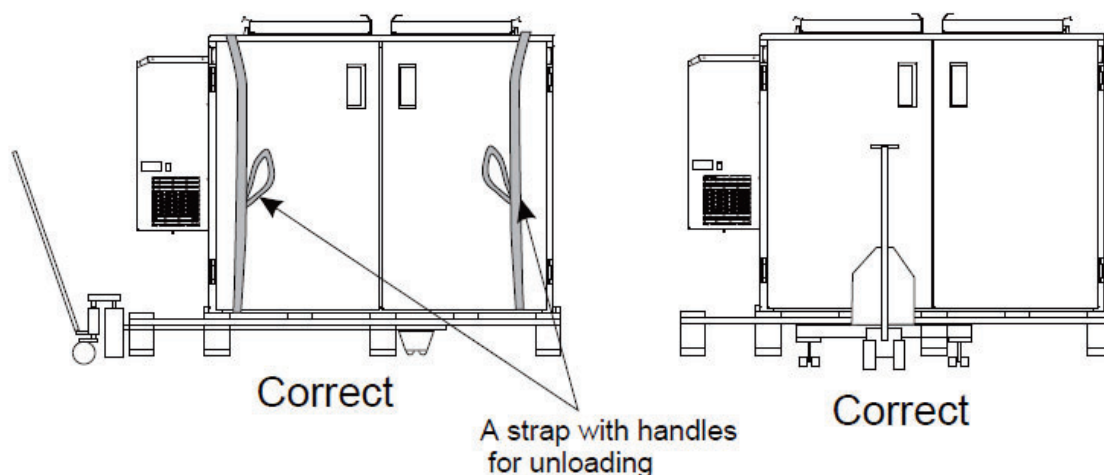


Fig. 3 Transporting the device (correct)

When setting the chamber at the place of use, cut off safety bands, remove the foil from the chamber, and remove the safety blocks on the pallet. Then, four persons should unload the chamber manually from the pallet (using a strap with handles mounted on the chamber). When unloading, use protective gloves (to protect the hands) and take care to ensure that the chamber is lifted and lowered evenly. Once the chamber is located at the place of use, remove the straps used to unload the chamber from the pallet.

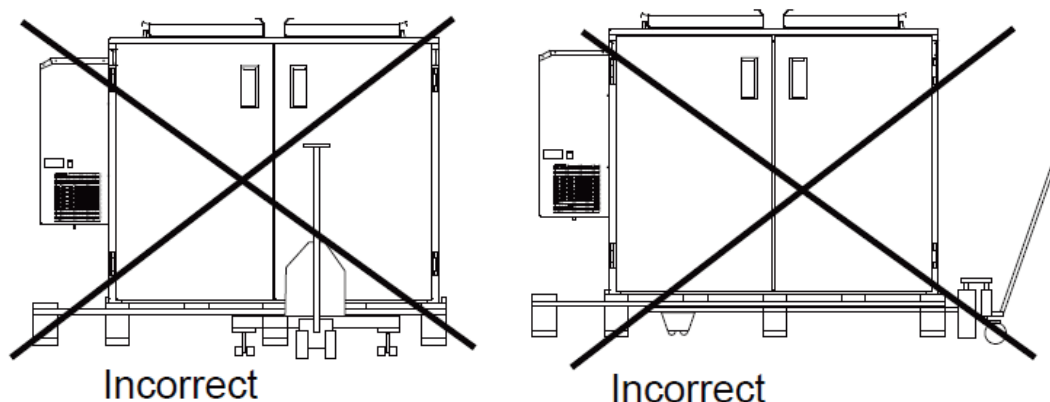


Fig. 4 Transporting the device (incorrect)

3. Preparation for operation

The chamber may be installed indoors in rooms with the proper ventilation or under roofs (shelters) to protect the unit from precipitation. If the chamber is installed indoors, ensure that the ventilation allows to maintain the proper temperature inside the room (not more than 28°C). The room should be equipped with ventilation openings positioned in such a way as to ensure the flow of fresh air through the entire room (it is recommended that forced ventilation with an exhaust fan be installed).

The chamber should be placed on a concrete floor or on a level surface protected against water accumulation. The unit should be set in a dry place, out of direct sunlight, with good air exchange, and away from heat sources (cookers, central heating batteries, heaters, etc.).

The unit must be connected to a separate, properly designed electrical circuit (230+10% V/50 Hz with a two-pole plug socket and a protective pin). The socket must be protected with a fuse of at least 6.0 A (not more than 16 A).

NOTE: Do not connect the unit to extension cables and splitters.

Now, the unit is ready for operation.

1. Operation

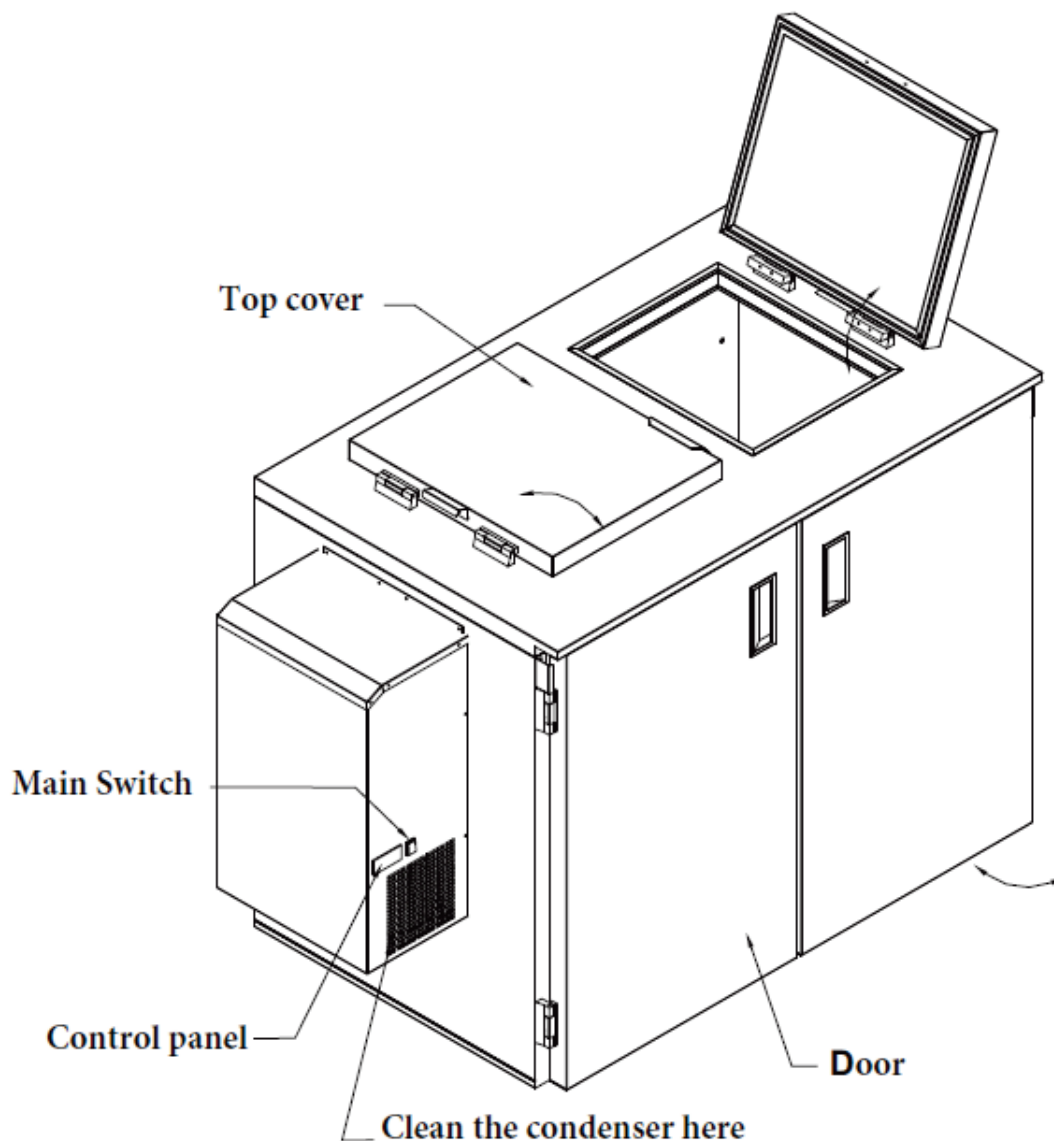


Fig. 5

Start-up:

1. Plug in the connecting cable directly into the plug-in socket.
2. Activate the main switch button
3. Turn on the main switch using the button on the temperature controller panel (see controller drawing)
4. . Set the desired temperature using the buttons on the temperature controller panel in the range of 4 to 8°C (see controller drawing).

The operation of the unit is controlled by a temperature controller equipped with:

- **Refrigeration on/off button** – enables the chiller to be switched off at any time without disconnecting the power supply from the main switch.
- **manual defrost button** – that allows for initiating the defrost cycle at any time during operation (regardless of the automatic defrost function); the button does not work when the temperature is higher than the defrost end temperature.
- **a button to view the temperature** on the defrost sensor(s) and the condenser temperature monitoring sensor; if the condenser temperature is exceeded, the user is notified by an audible signal; in this case, clean the condenser and check that the condenser fan is running and the ambient temperature does not exceed 25°C
- **a digital temperature display** for current temperature control inside the refrigeration unit.

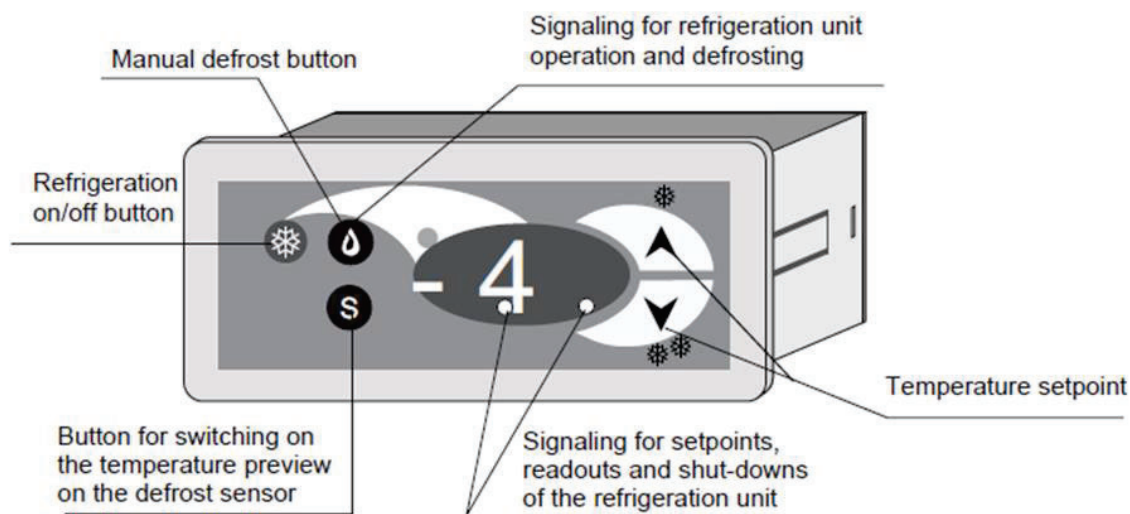


Fig. 6

To ensure long-term and efficient operation, the user should observe the following rules:

1. Do not fill the unit with goods before it has cooled down (approx. 1–2 hours after start-up).
2. Do not put warm products into the refrigerated chamber.
3. Ensure that goods are arranged in such a way as not to obstruct the ventilation openings.
4. Do not leave covers and doors open.
5. Clean the condenser at least once a month or when dirty. The method for cleaning the condenser is shown on Fig 7.
6. Clean the unit with warm water and non-abrasive detergents after disconnecting it from the power supply. Do not use caustic agents as they may cause irreparable damage to the unit surface.

In daily operation, the top covers are used to load the containers in the chamber (see Fig. 5). To change the containers, open the door and unload the container.

To ensure minimum electricity consumption:

- do not place the unit close to heat sources
- zapewnić obieg powietrza wokół urządzenia
- avoid opening doors unnecessarily and leaving them open for long periods of time.

2. Maintenance

All maintenance should be carried out after disconnecting the unit from the mains.

1. Cleaning the condenser

Clean the condenser thoroughly after removing the cover with a vacuum cleaner, brush, or compressed air (Fig.7)

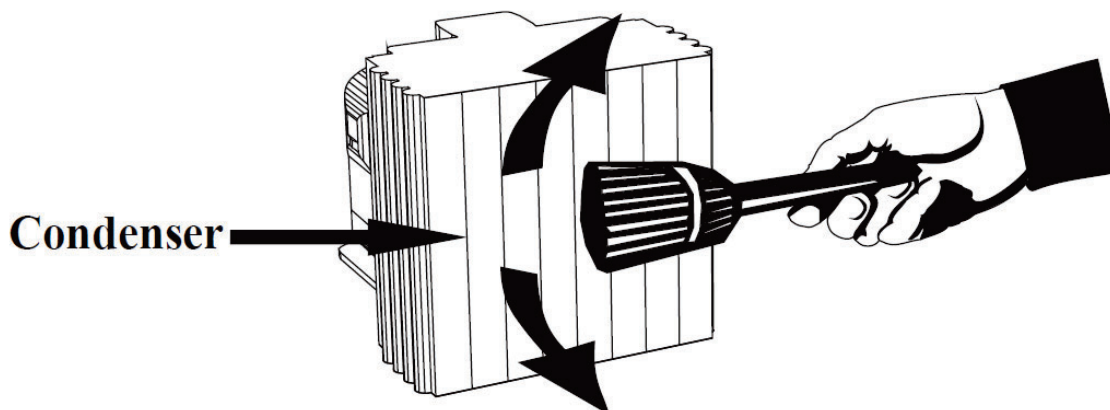


Fig. 7

3. Service

Before you call for service

In the case of any difficulties during start-up or operation of the unit, make sure that it is operated properly by consulting the sections that describe the procedure you need to follow. If difficulties persist, refer to the following tips to remove them.

If the unit is not working...- make sure that:

- The mains voltage and frequency comply with those recommended by the manufacturer (230 V and 50 Hz).
- The unit is connected to the mains.
- The switches on the control thermostat and the main switch are on.

If the unit does not reach the right temperature, make sure that:

- The unit switch is in the ON position.
- The refrigeration button is in the on position
- The temperature on the thermostat is set correctly.
- The condenser is not contaminated. Clean if necessary.
- Ambient temperature is not higher than 25°C. The manufacturer does not guarantee suitable temperatures, if the ambient temperature is higher than 25°C.

**If the unit is working and the sound signaling is on...-
make sure that:**

- The condenser is not contaminated; clean if necessary.
- The condenser fan works.
- Ambient temperature is not higher than 25°C.

If difficulties persist, contact your local Igloo service centre and provide the serial number and model of the unit found on the unit nameplate.

IN CASE OF NON-OBSERVANCE OF THE RULES CONTAINED HEREIN AS REGARDS THE CONNECTION AND OPERATION OF THE UNIT, THE MANUFACTURER RESERVES THE RIGHT TO WAIVE THE OBLIGATIONS OF THE GUARANTOR!!!

